

# Set-Up Guide

---

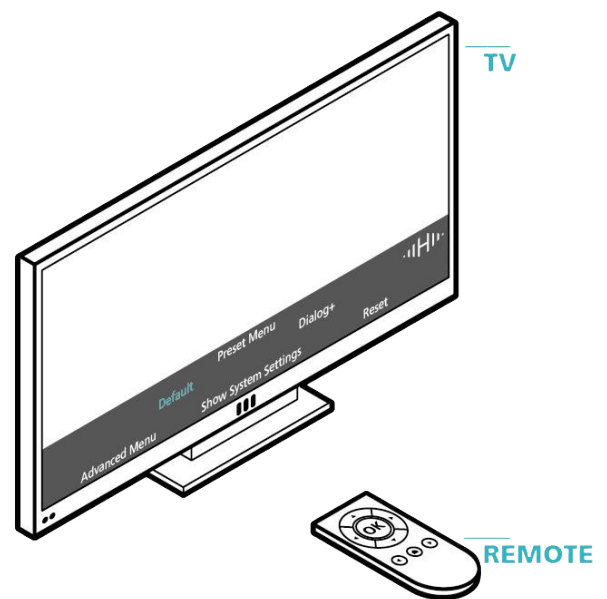
## USING AN MPEG-H TV AUDIO SYSTEM EQUIPPED TV

The MPEG-H TV Audio System, or MPEG-H in short, is built-in to your TV and your TV's remote control can be used to operate all MPEG-H features. When operating your TV for the first time, you may wish to set your preferred language for TV commentary or dialogue and adjust the dynamic range to match your listening environment. Your TV's instruction manual will explain how to navigate to the MPEG-H settings.

MPEG-H offers the full dynamic range produced by the content creator or broadcaster for a realistic home theater experience. By setting a desired dynamic range profile, louder sounds may be made softer and softer sounds louder so programs can be heard without disturbing others or for cases where there are high levels of noise in the listening area.

MPEG-H equipped TVs also offer interactivity when it is created or enabled by the broadcaster. Broadcasts may allow you to select alternate commentary, listen to dialogue in another language, or adjust the loudness of dialogue or other audio elements in the program. Your TV will remember your settings for each program between commercial breaks or switching channels. These settings can be reset to their default values through the reset command on your TV's MPEG-H menu.

MPEG-H may be played back with the internal speakers of a MPEG-H enabled TV set, with speakers connected to an AV receiver, or with a soundbar connected to the TV set.

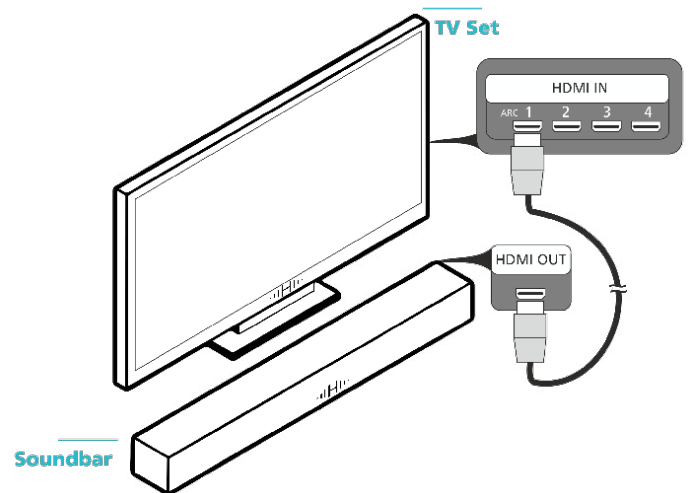


## HOW TO CONNECT A TV TO AN MPEG-H ENABLED SOUNDBAR

A soundbar generally offers better sound than a TV's internal speakers and advanced MPEG-H enabled soundbars can create a realistic immersive sound experience. Soundbars with the MPEG-H trademark connect easily and directly to your TV. Simply connect your soundbar's HDMI output to your TV's HDMI input that supports the Audio Return Channel, shown as cable (1) in the diagram. This input may be marked (ARC) on your TV. Use your TV's audio settings menu to select ARC as the audio output instead of the TV's speakers and turn off your TV's internal speakers.

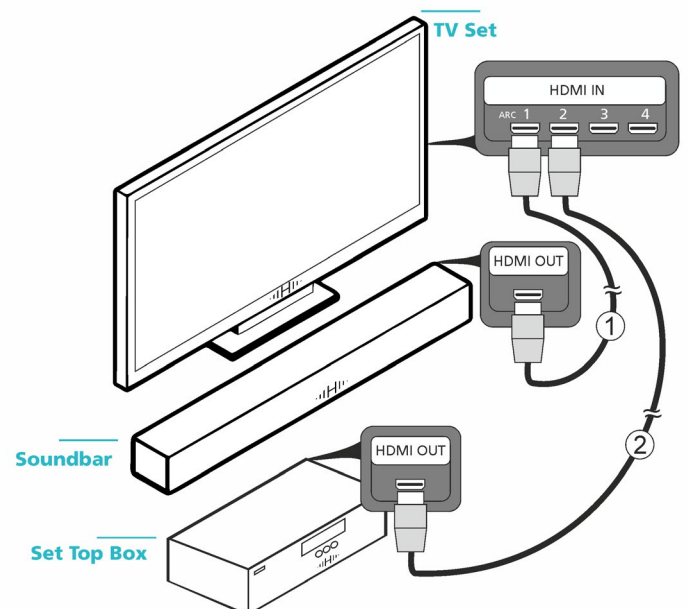
Once your soundbar is connected, it is automatically controlled by commands sent in the MPEG-H bitstream from your TV or other source device. You may use your TV's remote to interact with MPEG-H features in each program or change the volume.

If all components in your system have the MPEG-H trademark, you are not required to connect them directly to the soundbar's HDMI inputs for immersive sound. Unlike other audio systems, MPEG-H sources may be routed through an MPEG-H TV with full fidelity.



## HOW TO CONNECT AN MPEG-H ENABLED SET-TOP BOX TO A SOUNDBAR AND TV

Cable TV, IPTV, or satellite TV set-top boxes, as well as digital media adapters used for internet video delivery, offer access to additional programming or on-demand content. They can be easily connected to your soundbar and TV. Simply connect your set-top box's HDMI output to your TV's HDMI input, shown as cable (2) in the diagram. When watching the output of your set-top box, use the set-top box's remote control to adjust the MPEG-H features and settings.

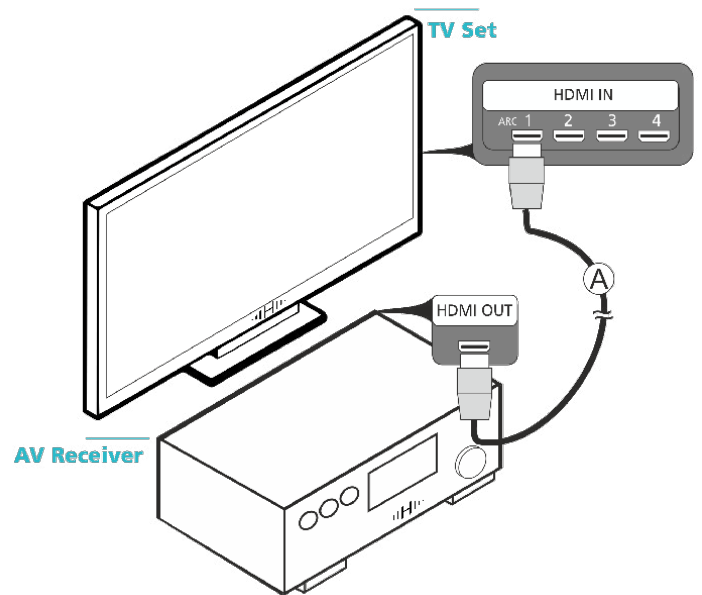


## HOW TO CONNECT AN MPEG-H ENABLED AV RECEIVER

For the ultimate listening experience, you may wish to use individual speakers instead of a soundbar. MPEG-H enabled AV receivers connect easily and directly to your TV. Simply connect your AV receiver's HDMI output to your TV's HDMI input that supports the Audio Return Channel, shown as cable (A) in the diagram. This input may be marked (ARC). Use your TV's audio settings menu to select ARC as the audio output instead of the TV's speakers and turn off your TV's internal speakers.

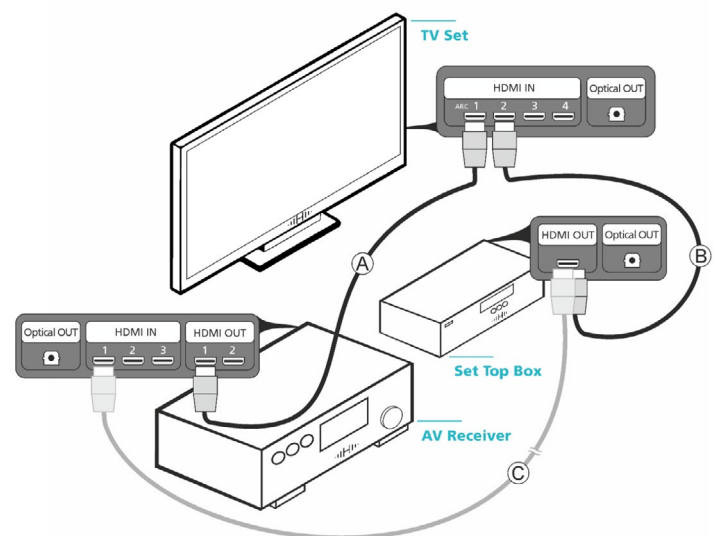
Once your AV receiver is connected, it is automatically controlled by commands sent in the MPEG-H bitstream from your TV (or other source device). You may use your TV's remote to interact with MPEG-H features in each program or change the volume.

If all components in your system have the MPEG-H trademark, you are not required to connect them directly to the AV receiver's HDMI inputs for immersive sound. Unlike other audio systems, MPEG-H sources may be routed through an MPEG-H TV with full fidelity.



## HOW TO CONNECT AN MPEG-H ENABLED SET-TOP BOX TO AN AV RECEIVER AND TV

Cable TV, IPTV, or satellite TV set-top boxes, as well as digital media adapters used for internet video delivery, offer access to additional programming or on-demand content. They can be easily connected to your soundbar and TV. Simply connect your set-top box's HDMI output to your TV's HDMI input, shown as cable (B) in the diagram. When watching the output of your set-top box, use the set-top box's remote control to adjust the MPEG-H features and settings.



## FOR THE ENTHUSIAST OR TECHNICIAN

Note that these connection examples are for simple systems and are focused on playback of MPEG-H content. They also use the TV-centric approach to source switching since that is the most common for simple systems. Some users may wish to switch sources with their AV receiver or soundbar, as shown with cable (C) in the diagram above. Users should consult the instruction manuals for their equipment for information on more complex systems, for optical disc playback, or other signal sources or sound formats.

Note that equipment without the MPEG-H trademark may not pass MPEG-H bitstreams from their inputs to outputs correctly, and it may be necessary to use HDMI or optical connections directly from source devices to the AV receiver or soundbar.

**We offer [MPEG-H test signals](#) including channel identification, lip sync, and level checks for verifying that the speakers are connected and adjusted properly.**